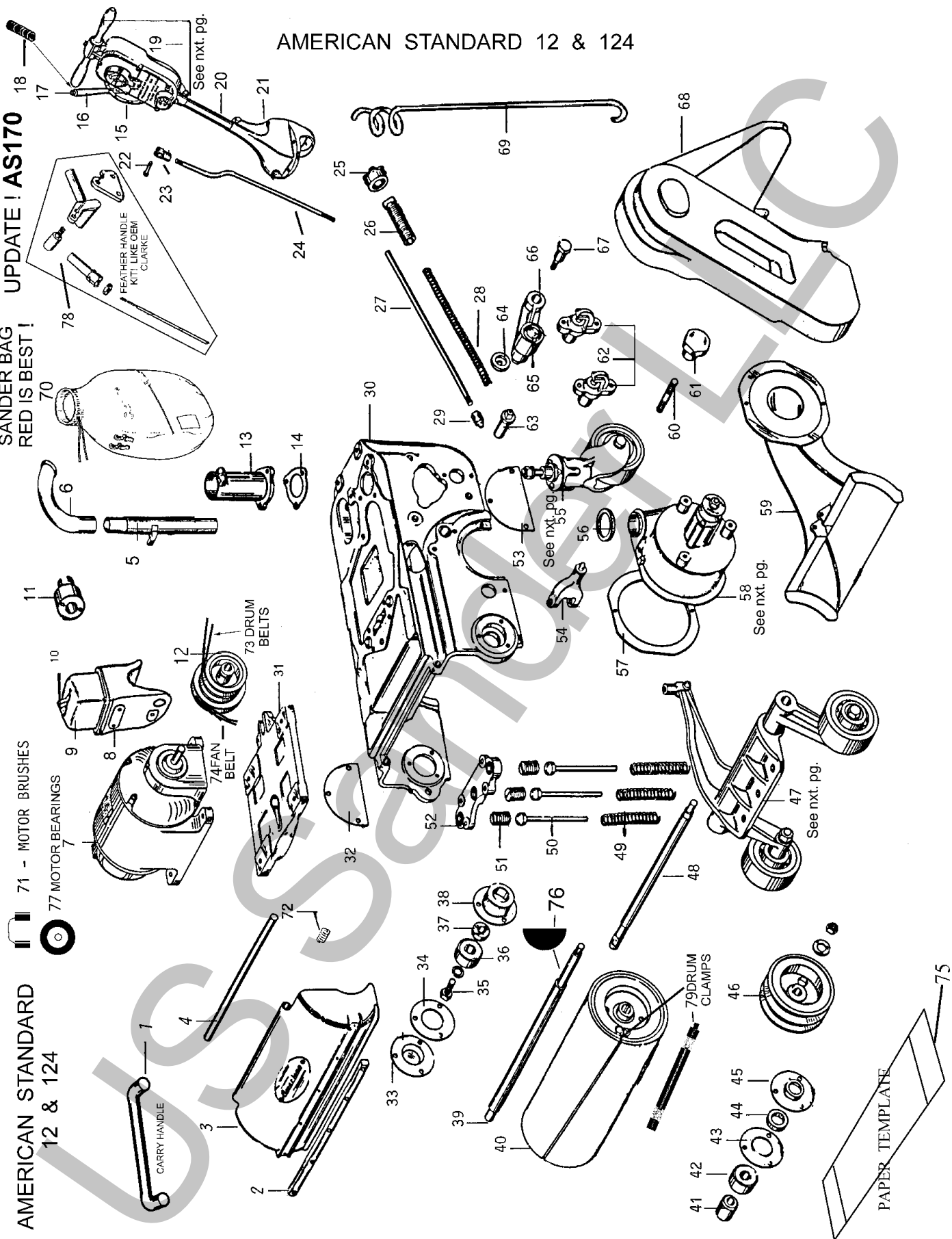


71 - MOTOR BRUSHES
77 MOTOR BEARINGS

SANDER BAG
RED IS BEST!

UPDATE ! AS170

AMERICAN STANDARD 12 & 124



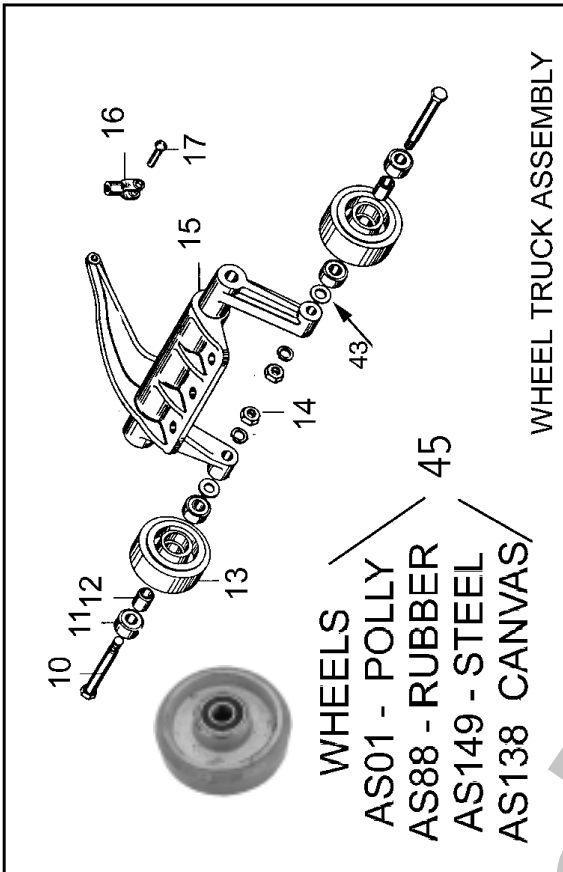
Standard 12

| ILL. # | PART # | Description |
|--------|--------|-----------------|
| 1 | AS12 | Carry Handle |
| 2 | AS104 | Bumper |
| 3 | AS105 | Drum Cover |
| 4 | AS106 | Cover Shaft |
| 5 | ***** | |
| 6 | ***** | |
| 7 | ***** | |
| 8 | ***** | |
| 9 | ***** | |
| 10 | K280 | 110/220 Switch |
| 11 | 7102NM | Male Plug |
| 12 | AS250 | Pulley |
| 13 | AS10 | 2"Support |
| 14 | AS173 | Gasket |
| 15 | AS30 | Quadrant |
| 16 | AS05 | Control Handle |
| 17 | AS06 | Stop Pin |
| 18 | AS07 | Spring |
| 20 | AS75 | Handle Pipe |
| 21 | AS107 | Handle Bracket |
| 22 | AS09 | Fork Pin |
| 23 | AS08 | Rod Fork |
| 24 | AS108 | Control Rod |
| 25 | AS70 | Knob |
| 26 | AS72 | Pressure Screw |
| 27 | AS110 | Pivot Rod |
| 28 | AS109 | Pressure Spring |
| 29 | AS102 | Nut |
| 30 | AS133 | Main Frame |
| 31 | ***** | |
| 32 | AS69 | Rt Wheel Cover |
| 33 | AS66 | Cover |
| 34 | AS67 | Cover Gasket |
| 35 | AS47 | Drum Screw |
| 36 | 6203 | Bearing |
| 37 | AS139 | Drum Spacer |
| 38 | AS51 | Bearing Cup |
| 39 | AS111 | Drum Shaft |

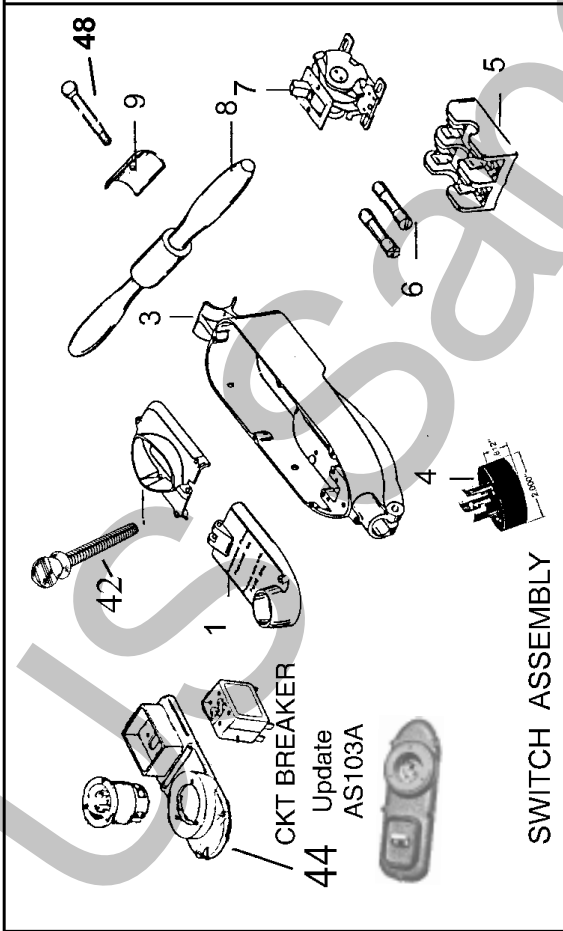
| ILL. # | PART # | Description |
|--------|--------|--------------------|
| 40 | AS112 | 12" Drum |
| 41 | AS134 | Shaft Spacer |
| 42 | 6303 | Bearing |
| 43 | AS48 | Felt Retainer |
| 44 | AS38 | Felt Washer |
| 45 | AS49 | Bearing Retainer |
| 46 | AS150 | Drum Pulley 2B |
| 48 | AS113 | Shaft |
| 49 | AS55 | Plunger Spring |
| 50 | AS80 | Plunger |
| 51 | AS79 | Plunger Screw |
| 52 | AS116 | Plunger Plate |
| 53 | AS69 | Rt Wheel Cover |
| 54 | AS117 | Yoke Assy. |
| 55 | !! | See Next Page |
| 56 | AS175 | Felt Gasket |
| 57 | AS118 | Pan Gasket |
| 58 | !! | See Next Page |
| 59 | AS119 | Dust Pan |
| 60 | AS142 | Stud |
| 61 | AS141 | Knob |
| 62 | AS120A | STD 8 Clamp |
| 63 | AS121 | Eccentric |
| 64 | AS122 | Spacer |
| 65 | AS56 | Idler Sleeve Assy. |
| 66 | AS136 | Idler Arm |
| 67 | AS124 | Idler Stud |
| 68 | AS123 | Belt Guard |
| 69 | AS62 | Cable Arm |
| 70 | S21A | Sander Bag |
| 71 | S25 | Motor Brushes |
| 72 | AS156 | Spring |
| 75 | AS155 | 12" Template |
| 75 | AS155A | Adj.Template |
| 76 | AS184 | Key Set |
| 77 | 6205 | Bearing |
| 78 | AS170 | 12" Lever Kit |
| 79 | AS53 | Paper Clamp |

Note: Prices may vary from actual cost due to computer rounding or typographical errors.
Prices may vary at any time.

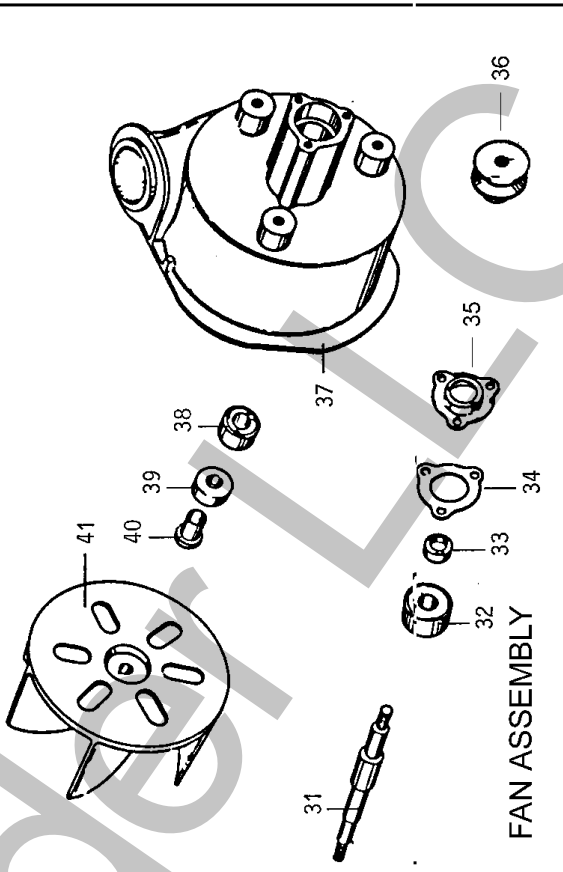
AMERICAN STANDARD 12 & 124



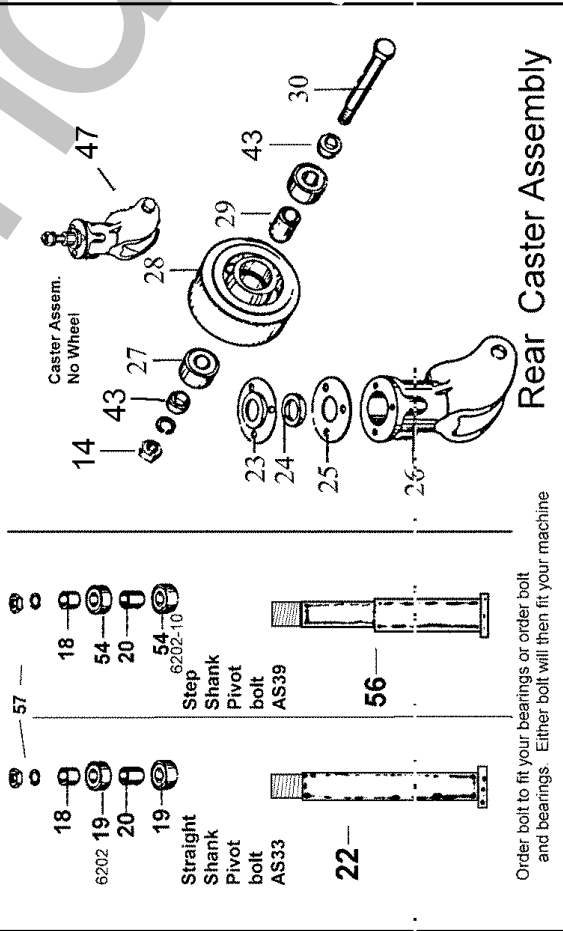
WHEEL TRUCK ASSEMBLY



SWITCH ASSEMBLY



FAN ASSEMBLY



Rear Caster Assembly

- 18 — 6202
- 19 — Straight Shank Pivot bolt AS33
- 20 — 54
- 19 — 54-10
- 57 — Step Shank Pivot bolt AS39
- 22 —
- 56 —

Order bolt to fit your bearings or order bolt and bearings. Either bolt will then fit your machine

| ILL. # | PART # | Description |
|--------|--------|------------------|
| 1 | ***** | |
| 2 | ***** | |
| 3 | AS82 | Switch Box |
| 4 | 6212 | Plug, Male |
| 4 | 6342 | Plug, Male |
| 5 | K100 | Fuse Block |
| 6 | NON30 | Fuses NON 30 AM |
| 7 | K281 | 60 Amp. Switch |
| 8 | AS35 | Handle |
| 9 | AS81 | Handle Clamp |
| 10 | AS17 | Wheel Axle |
| 11 | 6202 | Bearing |
| 12 | AS83 | Spacer |
| 13 | AS01 | Red Wheel |
| 14 | AS28 | Nut & Washer |
| 15 | AS126 | Wheel Truck |
| 16 | AS08 | Rod Fork |
| 17 | AS09 | Fork Pin |
| 18 | AS54 | Spacer, Wheel |
| 19 | 6202 | Bearing |
| 20 | AS84 | Spacer |
| 22 | AS33 | Stght Pivot Bolt |
| 23 | AS85 | Retainer |
| 24 | AS63 | Felt Washer |
| 25 | AS86 | Bearing Retainer |
| 26 | AS87 | Caster Yoke |
| 27 | 6202 | Bearing |
| 28 | AS01 | Red Wheel |

| ILL. # | PART # | Description |
|--------|---------|------------------|
| 29 | AS83 | Spacer |
| 30 | AS17 | Wheel Axle |
| 31 | AS76 | Fan Shaft |
| 32 | 6302 | Bearing |
| 33 | AS97 | Felt Washer |
| 34 | AS96 | Retainer |
| 35 | AS98 | Felt Retainer |
| 36 | AS24 | 4L Fan Pulley |
| 37 | AS132 | Fan Housing |
| 38 | 6202 | Bearing |
| 39 | CS27 | Fan Seal |
| 40 | AS59 | Fan Shaft Collar |
| 41 | AS127 | 12" Fan |
| 42 | AS172 | Thumb Screw |
| 43 | AS157 | Wheel Spacer |
| 44 | AS103A | Ckt Brkr update |
| 45 | AS138 | Canvas Wheel |
| 45 | AS01 | Red Wheel |
| 45 | AS149 | Steel Wheel |
| 46 | AS157 | Wheel Spacer |
| 47 | AS87A | Caster No wheel |
| 48 | 85818A | Handle Bolt |
| 49 | AS192 | Spacer Washer |
| 52 | 6202 | Bearing |
| 54 | 6202-10 | Bearing |
| 56 | AS39 | Step Pivot Bolt |
| 57 | AS201 | Nut - washer |

Polished 12" American

We can now polish your old sander to look better than new.



Note: Prices may vary from actual cost due to computer rounding or typographical errors. Prices may vary at any time.