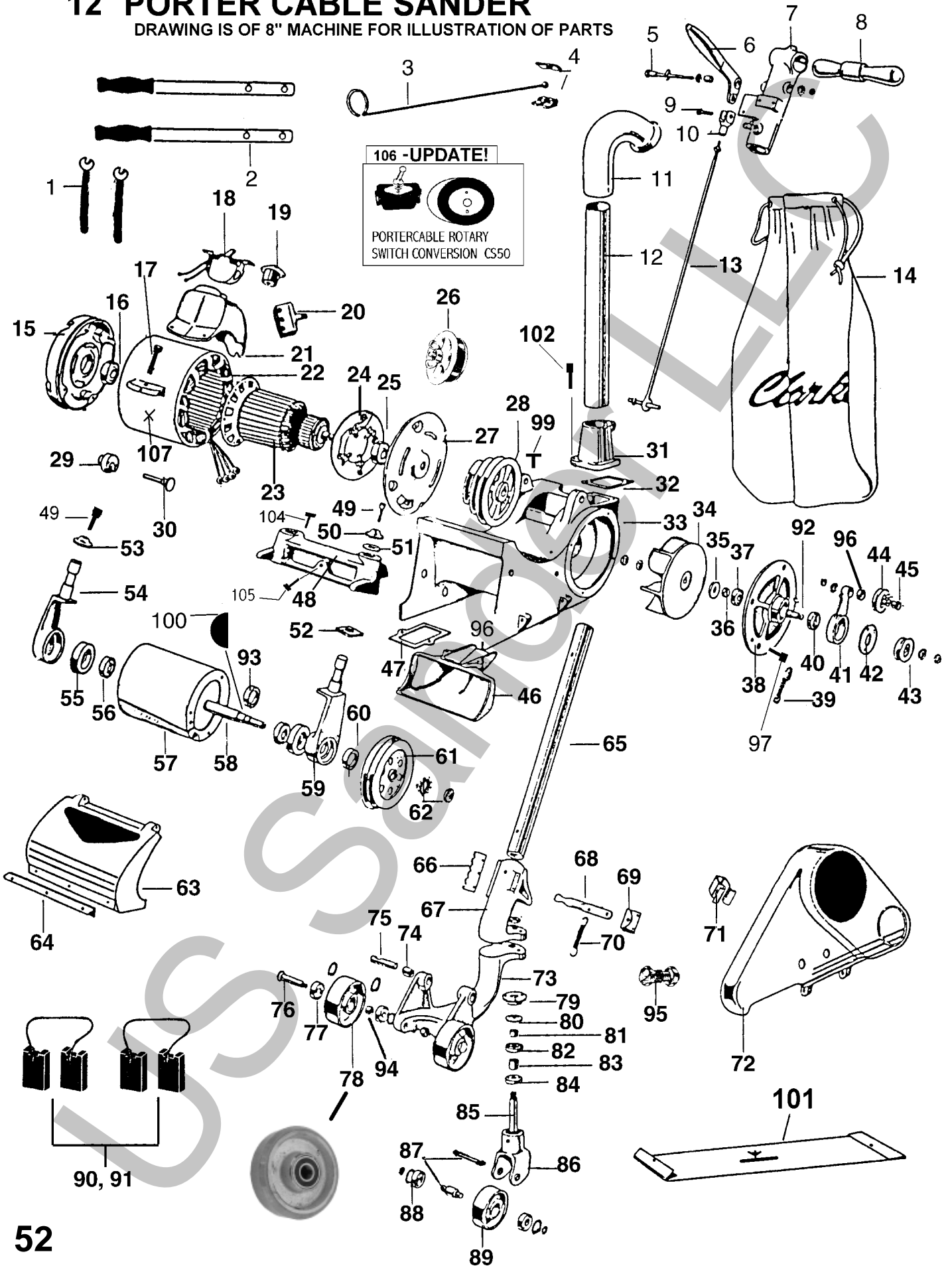


12" PORTER CABLE SANDER

DRAWING IS OF 8" MACHINE FOR ILLUSTRATION OF PARTS



ILL. #	PART #	Description
1	SW01	Wrenches
2	CS12	Carry Handles
3	*****	
4	*****	
5	CS54	Handle Stud
6	CS05	Control Handle
7	*****	
8	CS02	Wooden Handle
9	CS09	Fork Pin
10	CS08	Control Rod Fork
11	CS32	Elbow
12	CS78	Dust Pipe
13	CS71	Control Rod
14	S21A	Sander Bag
15	*****	
16	W205PF	Bearing
17	CS04	504 Motor Scre
18	K309	30 Amp. Switch
19	6345	Inlet
20	K280	110/220 Switch
21	*****	
22	*****	
23	*****	
24	*****	
25	W205PF	Bearing
26	CS105	Plug Clean Out
27	*****	
28	CS13	Motor Pulley 3 Gro
29	*****	
30	CS35	Motor Pin
31	CS132	Dust Support
32	*****	
33	*****	
34	CS110	Fan
35	*****	
36	CS60	Fan Collar
37	87503	Bearing
38	CS116	Fan Housing
39	CS43	Idler Spring
40	87503	Bearing
41	CS21A	Idler Arm
42	AS86	Bearing Retainer
43	CS24	Fan Pulley
44	CS22	Idler Pulley
45	CS49	Idler Pulley Shaft
46	CS134	Dust Pan
47	*****	
48	*****	
49	AHC17	7/16-14 x 1 1/4
50	CS84	Washer
51	CS53	Rubber Washer Se
52	CS36	Shock
53	CS84	Washer
54	CS130	RT ARM

ILL. #	PART #	Description
55	CS18	Retainer Ring
56	6205	Bearing
57	!!!	CALL FOR PRICE
57	CS101PC	Baldor Mtr Kit
58	CS61	Drum Shaft
59	CS131	LF ARM
60	CS11	Dust Seal
61	CS14	Drum Pulley 2 Gro
61	CS58-5	5.75Drum Pulley
61	CS58-6	6.75Drum Pulley
62	CS20	Nut & Washer
63	CS133	Drum Cover
64	*****	
65	CS80	Handle Pipe
68	CS34	Tension Lever
69	*****	
70	CS19L	Tension Spring
71	AS34	Side Cover Clip
72	CS126	Belt Guard
73	*****	
74	CS30	Bearing
75	CS74	Fulcrum
76	CS17	Side Wheel Axle
77	6202	Bearing
78	CS01	Side Wheel
79	CS96	Yoke Cover
80	CS38	Caster Seal
81	CS75	Spacer
82	6202	Bearing
83	CS55	Long Collar
84	6202	Bearing
85	CS37	Caster Stud
86	CS95	Yoke
87	CS31	Axle Assy.
88	6202	Bearing
89	CS56	Rear Wheel
90	S25	Motor Brushes
91	CS46	Brushes Master N
92	CS59	Fan Shaft
93	*****	
94	CS77	Spacer
95	CS138	Lever Stud
96	CS127	Spacer
97	AHC2	Screw
99	CS118	Wing Screw
100	W606	3/16 x 3/4
101	CS88A	Adj.Template
102	AHC2	Screw
103	AHC15	3/8-16 x 1 3/4
104	AHC13	3/8-16 x 1 1/4
105	AHC12	3/8-16 x 1
106	CS50	Conv. Switch
107	CS101PC	Baldor Mtr Kit
107	!!!	CALL FOR PRICE

SOME PARTS MAY NOT BE AVAILABLE YET!

Note: Prices may vary from actual cost due to computer rounding or typographical errors. Prices may vary at any time.