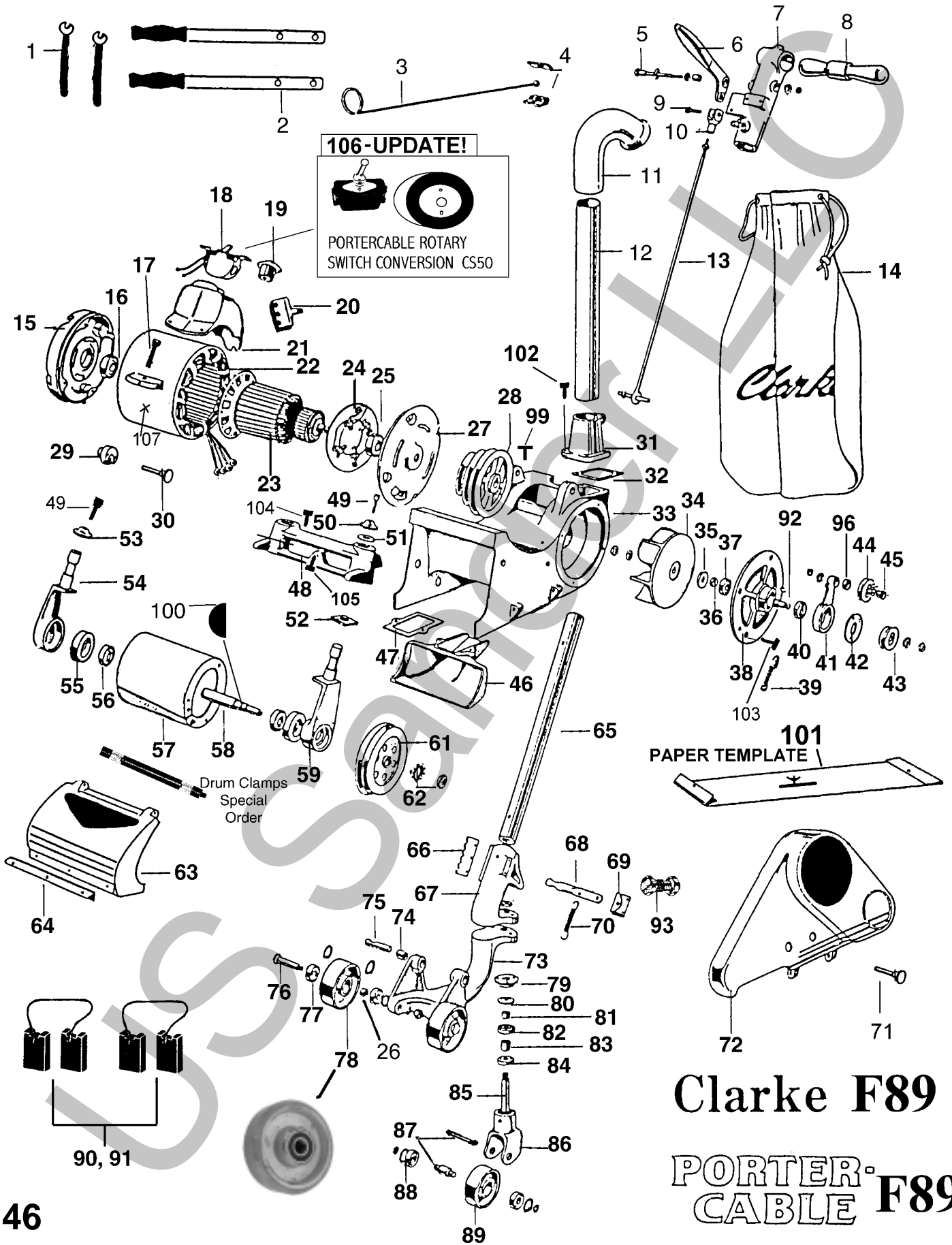


# CLARKE & PORTERCABLE F89



**Clarke F89**  
**PORTER-CABLE F89**

ILL. #	PART #	Description
1	SW01	Wrenches
2	CS12	Carry Handles
3	*****	
4	*****	
5	CS54	Handle Stud
6	CS05	Control Handle
7	*****	
8	CS02	Wooden Handle
9	CS09	Fork Pin
10	CS08	Control Rod Fork
11	CS92	Elbow
12	CS91	Dust Pipe
13	CS71	Control Rod
14	S21A	Sander Bag
15	*****	
16	W204PF	Bearing
17	CS03	F-89 Motor Scre
18	K309	30 Amp. Switch
19	CS142	Pigtail Assem
20	K280	110/220 Switch
21	*****	
22	*****	
23	*****	
24	*****	
25	W204PF	Bearing
26	CS77	Spacer
27	*****	
28	CS51	Motor Pulley
29	*****	
30	CS06	Motor Mount Pi
31	CS93	Pipe Support
32	*****	
33	*****	
34	CS44	Fan
35	CS27	Fan Seal
36	CS72	Fan Collar
37	6202	Bearing
38	CS94	Fan Plate
39	CS43	Idler Spring
40	6202	Bearing
41	CS21	Idler Arm
42	AS86	Bearing Retainer
43	CS24	Fan Pulley
44	CS22	Idler Pulley
45	CS49	Idler Pulley Shaft
46	CS26	Dust Pan
47	*****	
48	!!!	CALL FOR PRICE
48	CS137	Nose Bracket
49	AHC17	7/16-14 x 1 1/2
50	CS83	Washer
51	CS10	Rubber Washer
52	CS28	Shock
53	CS83	Washer

ILL. #	PART #	Description
54	CS136	RT Arm
55	CS40	Retainer Ring
56	6204	Bearing
57	!!!	CALL FOR PRICE
58	CS16	8" Drum Shaft
59	CS135	Pulley Arm
60	*****	
61	CS48-6	Drum Pulley
61	CS48-5	Drum Pulley
62	CS47	Nut & Washer
63	CS25	Drum Cover
64	*****	
65	CS80	Handle Pipe
66	*****	
67	*****	
68	CS34	Tension Lever
69	*****	
70	CS19	Tension Spring
71	CS57	Side Cover Screw
72	CS139	Belt Guard
73	*****	
74	CS29	Bearing
75	CS63	Chassis Fulcrum
76	CS17	Side Wheel Axle
77	6202	Bearing
78	CS01	Side Wheel
79	CS96	Yoke Cover
80	CS38	Caster Seal
81	CS75	Spacer
82	6202	Bearing
83	CS55	Long Collar
84	6202	Bearing
85	CS37	Caster Stud
86	CS95	Yoke
87	CS31	Axle Assy.
88	6202	Bearing
89	CS56	Rear Wheel
90	S25	Motor Brushes
91	CS42	Motor Brushes
92	CS45	Fan Shaft
93	CS138	Lever Stud
96	CS125	SPACER FAN
97	AHC17	7/16-14 x 1 1/2
99	CS118A	Wing Screw
100	*****	
101	CS124	F89 TEMPLATE
102	AHC1	10/24 x 5/8
104	AHC15	3/8-16 x 1 3/4
105	AHC12	3/8-16 x 1
106	CS50	Conv. Switch
107	!!!	CALL FOR PRICE
107	CS101FB	F89 Baldor Kit
107	CS101FG	F89 GE MTR

**SOME PARTS MAY NOT BE AVAILABLE YET! -CASTINGS being made**

Note: Prices may vary from actual cost due to computer rounding or typographical errors. Prices may vary at any time.