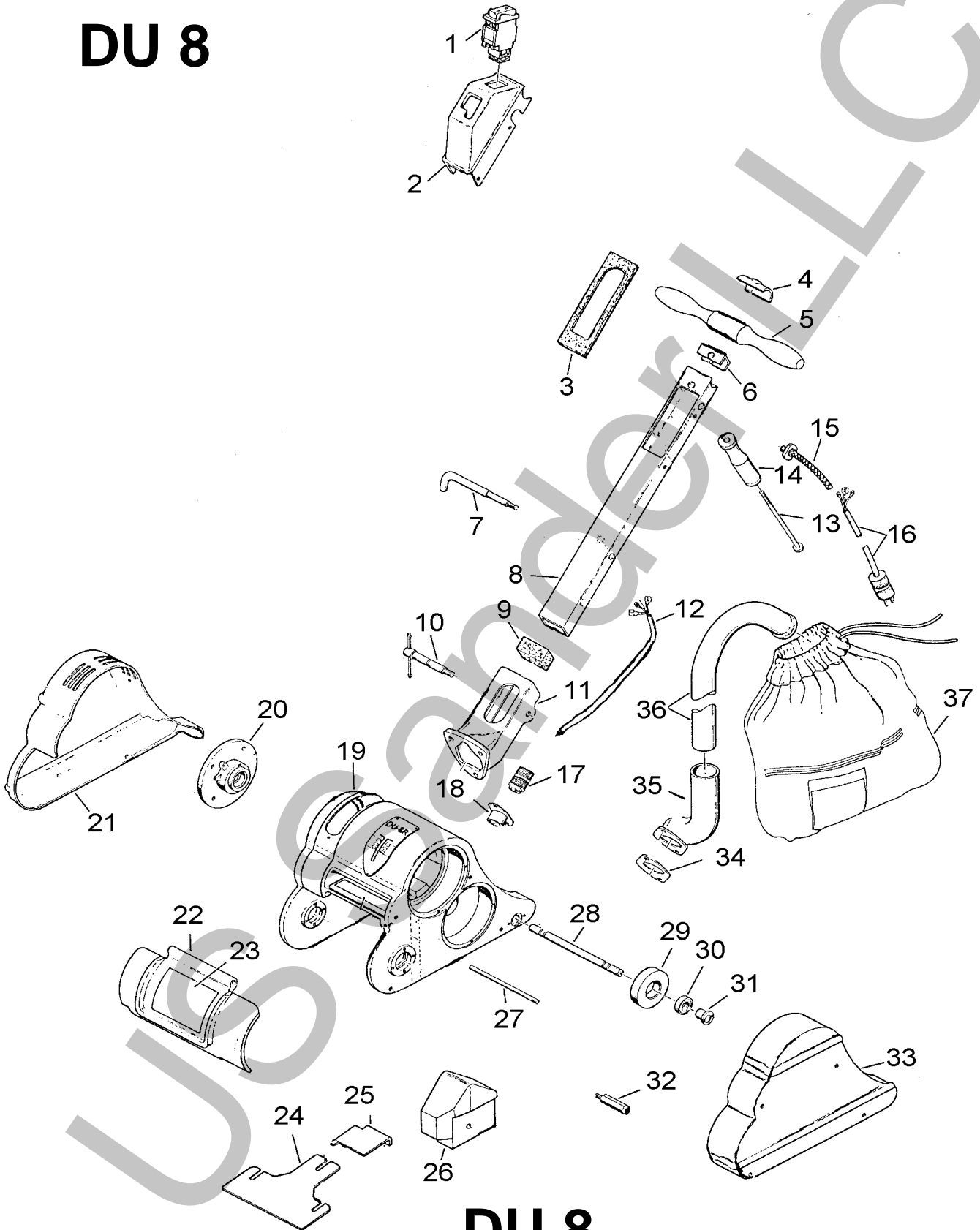


CLARKE® Model Du-8R  
Drawing #1 4/86

DU 8



DU 8

ILL. #	PART #	Description
1	DU15	Switch
2	DU16	Switch Cover
3	DU21	Gasket
4	O	OBSOLETE !!
5	DU23	Handle
6	O	OBSOLETE !!
7	O	OBSOLETE !!
8	DU26	Handle Tube
9	DU27	Tube Plug
10	DU14	Handle Clamp
11	DU28	Bracket
12	O	OBSOLETE !!
13	*****	
14	DU30	Grip Handle
15	DU31	Relief
16	O	OBSOLETE !!
17	DU33	Connector
18	DU34	Twist Base
19	O	OBSOLETE !!

ILL. #	PART #	Description
20	DU36	End Shield
21	DU37	Guard
22	DU38	Drum Guard
23	DU39	Label
24	DU09	Intake Shoe
25	DU40	Inlet Cover
26	O	OBSOLETE !!
27	DU42	Guard Rod
28	DU06	Axle
29	DU07	Wheel
30	6202	Bearing
31	DU05	Eccentric
32	DU04	Cover Spacer
33	DU43	Belt Guard
34	DU44	Ex Gasket
35	O	OBSOLETE !!
36	DU46	Ex Tube
37	S35	Rental Bag

**We now polish our rebuilt sanders. Your old sanders can look better than the new sanders!**

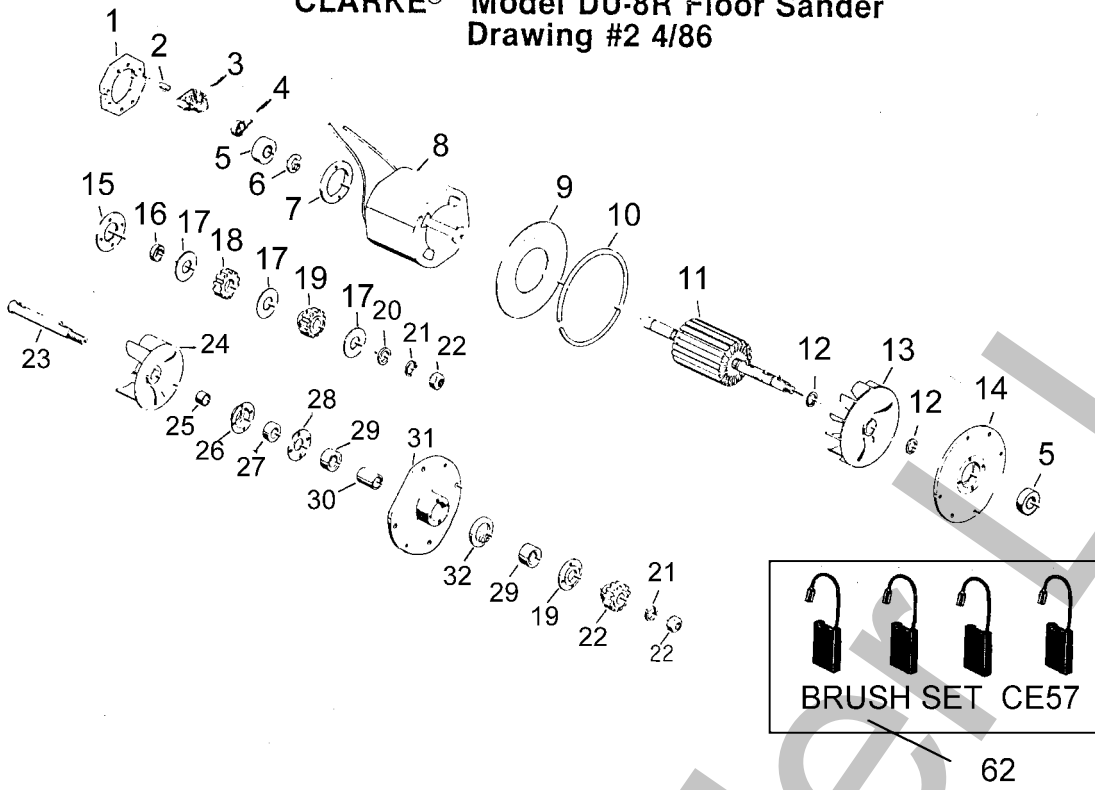


Let me put this thought directly into your head.  
The Earthlings at US S are doing it again!



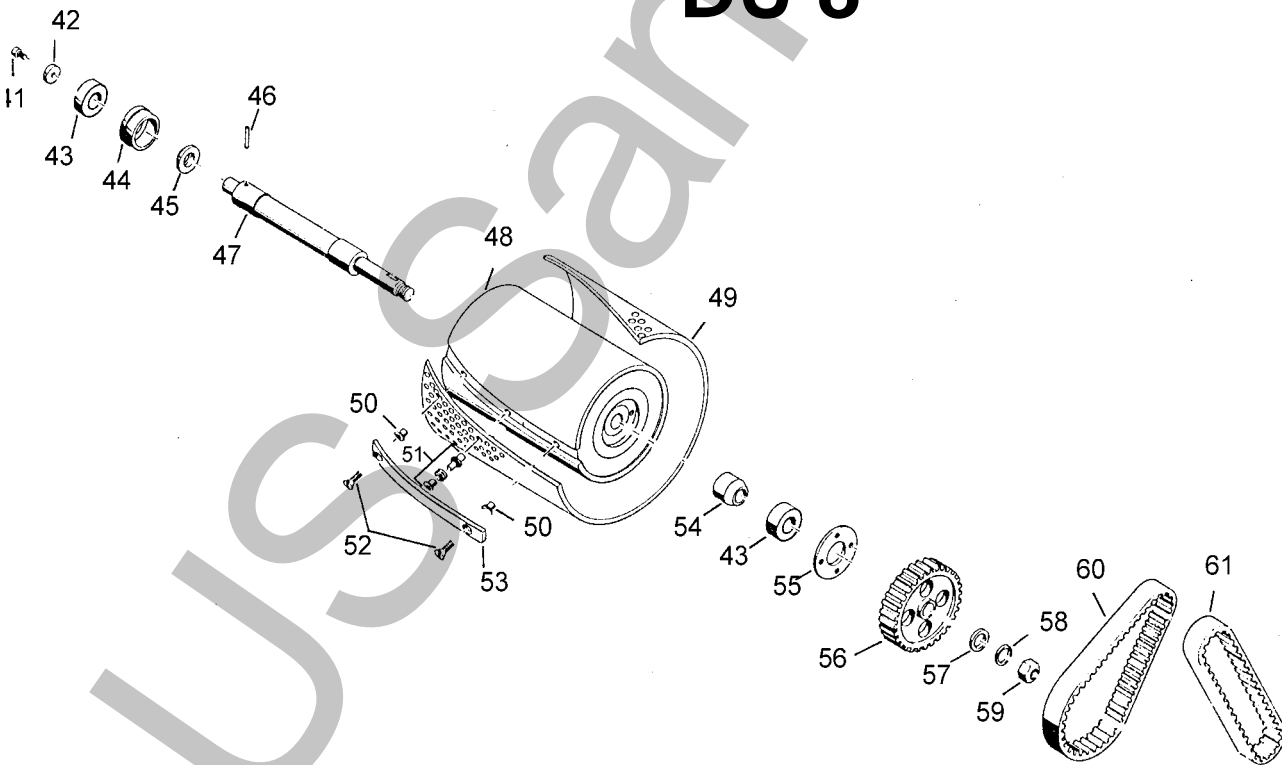
Note: Prices may vary from actual cost due to computer rounding or typographical errors.  
Prices may vary at any time.

CLARKE® Model DU-8R Floor Sander  
Drawing #2 4/86



CLARKE® Model DU-8R Floor Sander

**DU 8**



# DU 8

ILL. #	PART #	Description
1	DU47	Brush Block
2	DU48	Dowel Pin
3	CE32	Brush Holder
4	CE31	Brush Spring
5	6203	Bearing
6	DU50	Retain Ring
7	DU51	Brush Retain
8	DU52R	Rewound Field
8	DU52	110V Field
9	0	OBSOLETE !!
10	0	OBSOLETE !!
11	DU55R	110V Rewound
11	DU55	110V Armature
12	DU56	Bearing Spacer
13	DU57	Motor Fan
14	DU58	Pulley Shield
15	0	OBSOLETE !!
16	DU60	Spacer
17	DU61	Pulley Flange
18	DU62	Pulley
19	DU63	Pulley
20	DU64	1/2" Washer
21	DU65	Washer Loc
22	DU66	1/2 Jam nut
23	DU01	Fan Shaft
24	DU67	Fan
25	DU02	Fan Collar
26	DU68	Retainer
27	DU70	Fan Seal

ILL. #	PART #	Description
28	0	OBSOLETE !!
29	6203	Bearing
30	DU03	Fan Spacer
31	DU71	Fan Housing
32	DU72	Retain Ring
41	DU17	Clamp Screw
42	DU08	Bearing Clamp
43	6203	Bearing
44	DU73	Bushing
45	DU13	Short Spacer
46	DU82	Dowel Pin
47	DU11	Drum Shaft
48	DU74	Drum Assly.
49	DU75	Cover Kit
50	DU76	Insert
51	DU77	Pin Assly.
52	DU81	Screw 3 hole
52	DU78	Screw 2 hole
53	DU79	Clamp 2 hole
53	DU10	Clamp 3hole
54	DU12	Long Spacer
55	0	OBSOLETE !!
56	DU80	Drum Pulley
57	DU64	1/2" Washer
58	DU65	Washer Loc
59	DU66	1/2 Jam nut
60	DU19	Drum Belt
61	DU18	Fan Belt
62	DU83	Brushes

Note: Prices may vary from actual cost due to computer rounding or typographical errors.  
Prices may vary at any time.