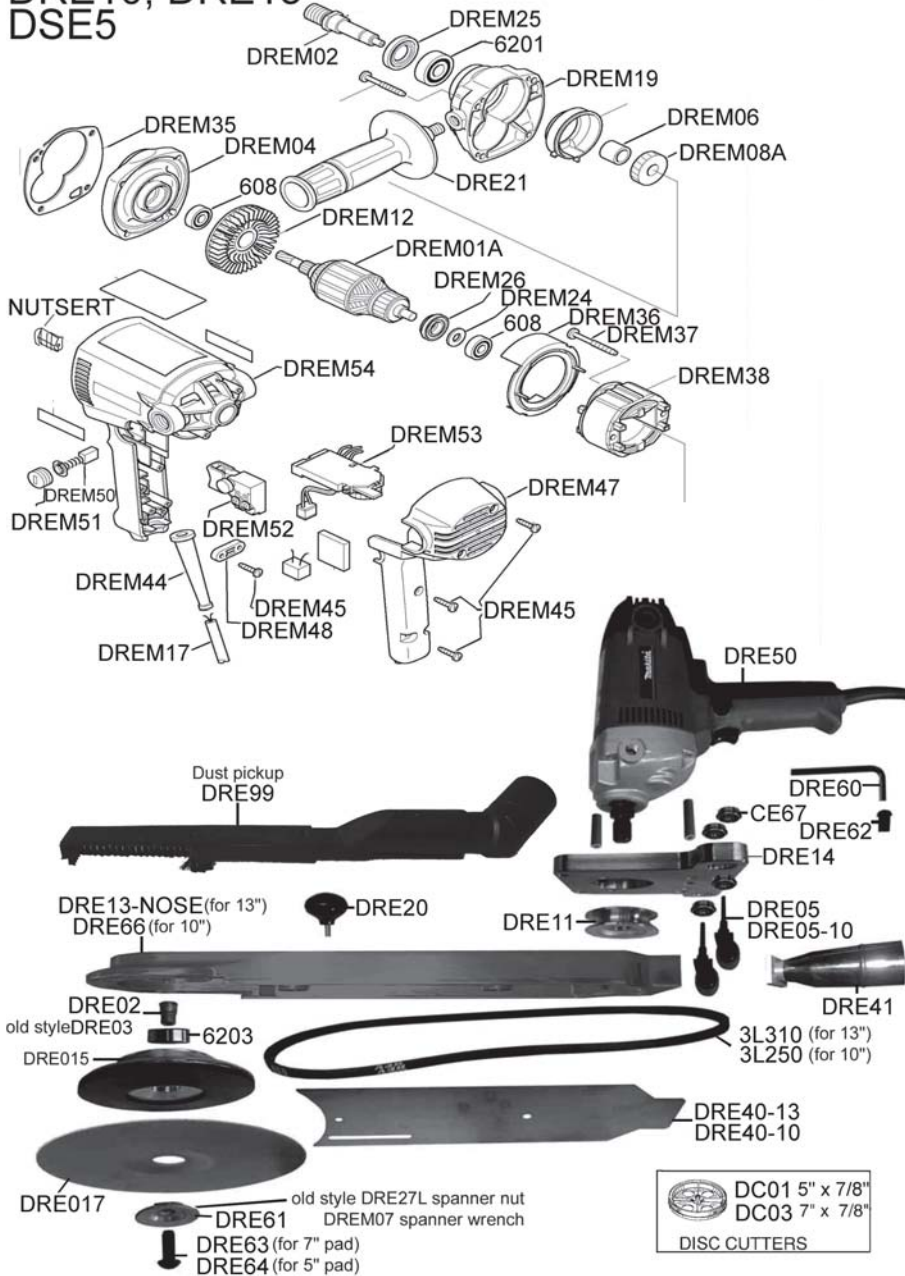


# US Sander DRE (Under Radiator/Toe Kick Edger)

Makita GV7000  
Used on  
DRE10, DRE13  
DSE5



Part #	Description
608	Bearing
6201	Bearing
6203	Bearing
3L250	Belt
3L310	Belt
CE67	Sealed Bearing
DC01	5 x 7/8" Cutter
DC03	7 x 7/8" Cutter
DRE02	Axle (NS Allen)
DRE03	Axle (OS Spanner)
DRE05	Caster Cmplt
DRE05-10	Caster for 10"
DRE11	Motor Pulley
DRE13-NOSE	Nose Only 13"
DRE015	5" Edger Pad
DRE14	Plate Aluminum
DRE017	7" Pad
DRE20	Knob
DRE21	HANDLE
DRE27L	Spanner Nut Long 7" pad
DRE40-10	10" Belt Guard
DRE40-13	13" Belt Guard
DRE41	Vacuum Pipe
DRE50	Makita Motor
DRE60	Hex Wrench
DRE61	Paper Washer Bolt Style
DRE62	Rubber Bushing
DRE63	Screw 7" Pad
DRE64	Screw 5" pad
DRE66	10" Nose only
DRE99	Adapter Dust containment
DREM01A	Armature Var. Spd
DREM02	Spindle
DREM04	Gear Cover
DREM06	Sleeve
DREM08A	Helical Gear
DREM12	Fan
DREM17	Cord w/ Plug
DREM19	Gear Housing
DREM24	Washer, flat
DREM25	Bearing Retainer
DREM26	Insulating washer
DREM35	Gasket
DREM36	Baffle Plate
DREM37	Screw, field
DREM38	Field Assy
DREM44	Cord Guard
DREM45	Screw, handle
DREM47	Handle Cover
DREM48	Strain Relief
DREM50	Brush/each
DREM51	Brush Cap
DREM52	Trigger Switch
DREM53	#N/A
DREM54	Motor housing
NUTSERT	Motor Nutsert