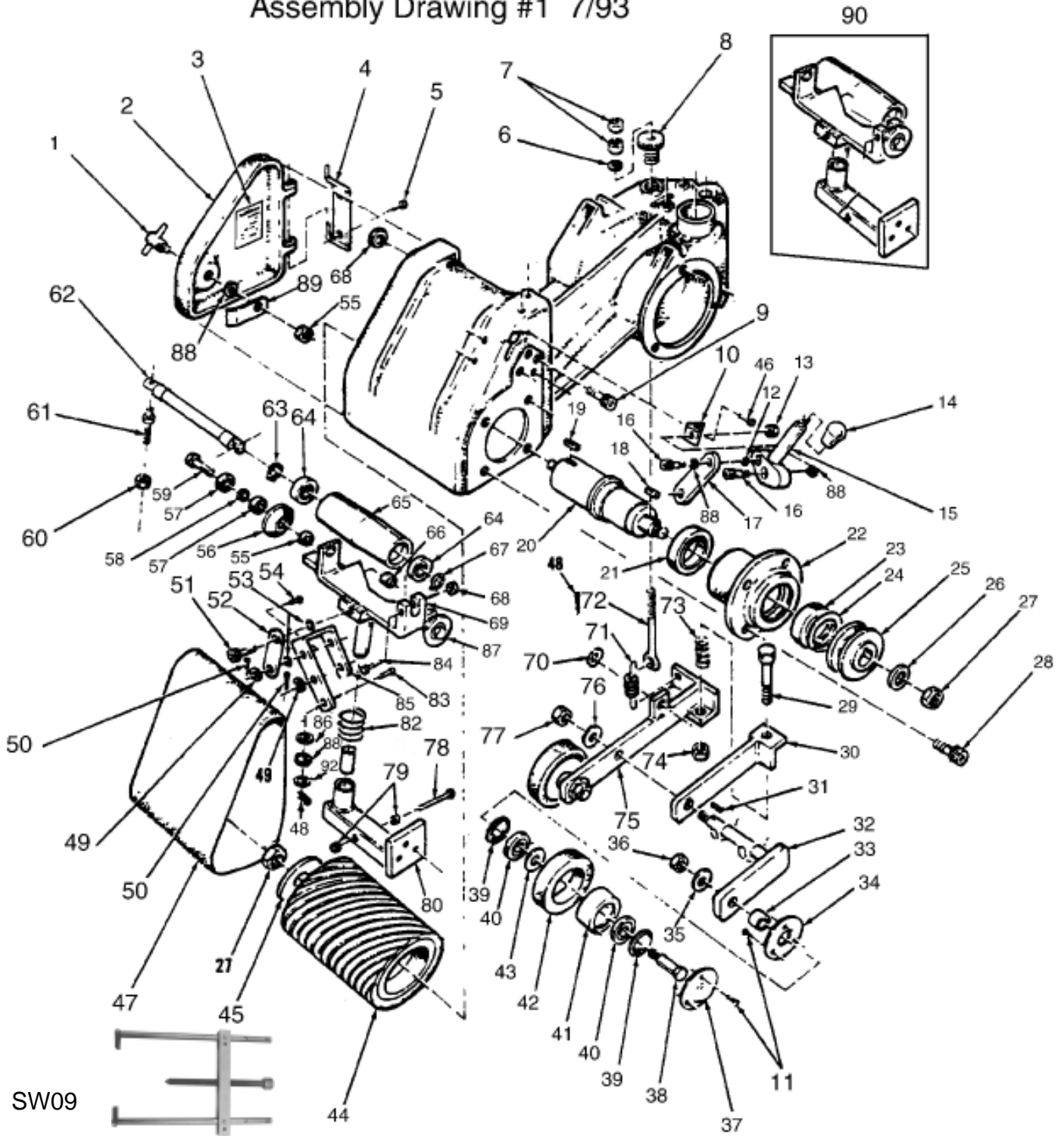


ALTO – Clarke American Classic Sander 8

Assembly Drawing #1 7/93



SW09

Belt Drum Puller
Fits all Drums 8", 10", 12"

Cont. \$90.00



COMPLETE WHEEL
CL01

92

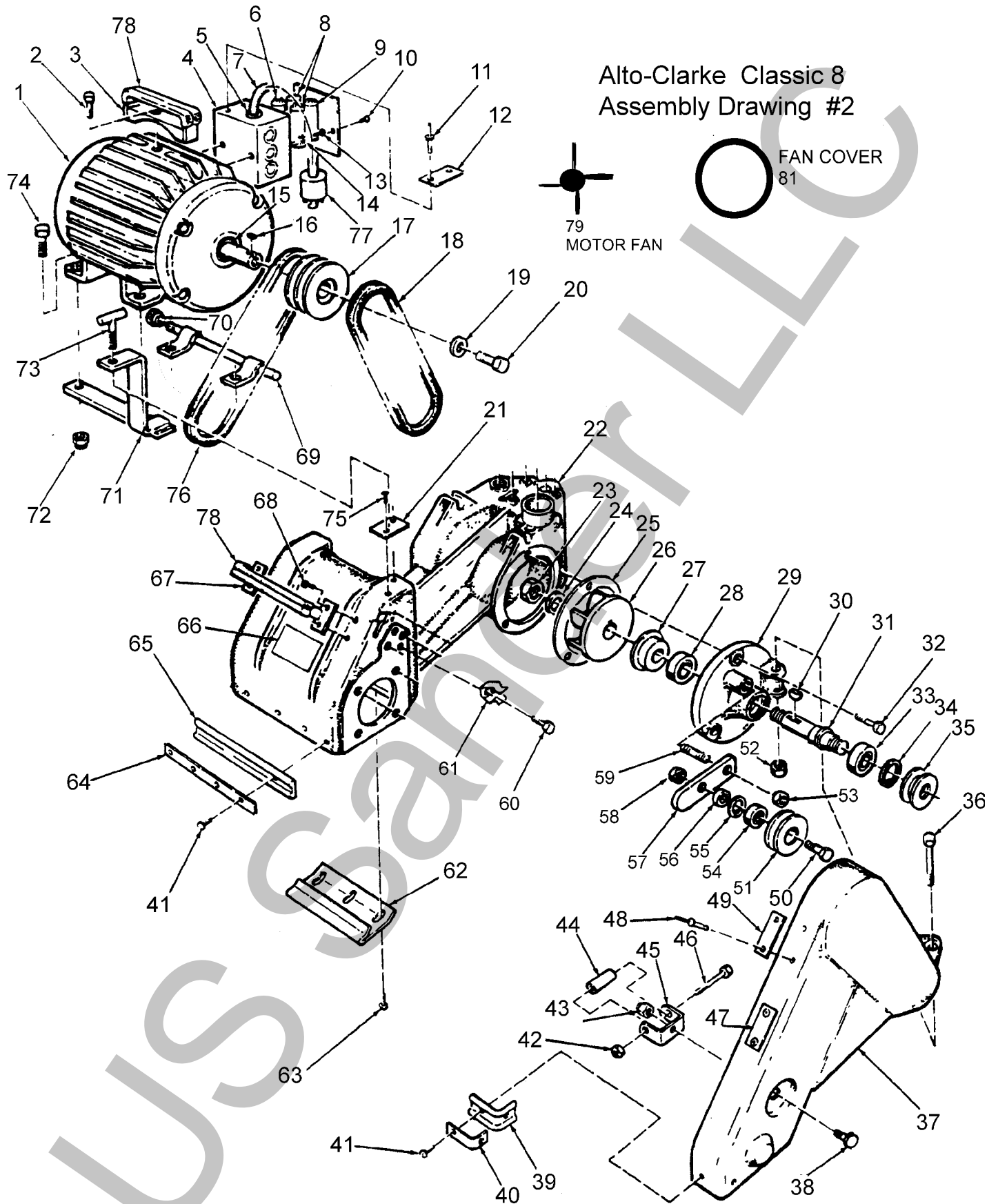
Classic 8

| ILL. # | PART # | Description |
|--------|--------|----------------|
| 1 | CL02 | Door Handle |
| 2 | CL03 | Door |
| 3 | ***** | |
| 4 | CL04 | Hinge |
| 5 | 85356 | SCREW |
| 6 | 980645 | Flat Washer |
| 7 | 920260 | Full Nut |
| 8 | CL05 | Knob |
| 9 | 86112A | Sc Screw |
| 10 | CL06 | Bracket |
| 11 | 962826 | Ph Screw |
| 12 | CL106 | Spacer |
| 14 | CL07 | Knob |
| 15 | CL08 | Lever |
| 16 | 80019A | Sh Bolt |
| 17 | CL09 | Link |
| 18 | CL126 | Key |
| 19 | CL129 | Key |
| 20 | CL10 | 8" Arbor Shaft |
| 21 | 6011 | Bearing |
| 22 | CL11 | Carrier |
| 23 | 6010 | Bearing |
| 24 | CL12 | Retainer |
| 25 | CL14 | Pulley 4L |
| 25 | CL13 | Pulley-3VX |
| 26 | 87029A | F-Washer |
| 27 | 81106A | St Loc Nut |
| 28 | 86110A | Sc Screw |
| 29 | 85834A | Bolt |
| 30 | CL15 | Arm |
| 31 | CL133 | Key |
| 32 | CL16 | Truck Axle |
| 33 | CL54 | Spacer |
| 34 | CL55 | Wheel Cover |
| 35 | 87033A | F-Washer |
| 36 | 81107A | Es Nut |
| 38 | 85725A | Bolt |
| 39 | CL121 | Retainer |
| 40 | 6202 | Bearing |
| 41 | ***** | |
| 42 | CL01 | Side Wheel |
| 43 | CL50 | Spacer |
| 44 | CL17 | 8" Drum CA8 |
| 45 | CL18 | Retainer |

| ILL. # | PART # | Description |
|--------|--------|--------------------|
| 46 | CL19 | Dust Shield |
| 47 | ***** | |
| 48 | ***** | |
| 49 | 980646 | Flat Washer |
| 50 | ***** | |
| 51 | 80018A | Sh Bolt |
| 52 | CL20 | Link |
| 53 | CL124 | Neo Washer |
| 54 | CL131 | Clevis Pin |
| 55 | 81302A | Jam Nut |
| 56 | CL31 | Edge roller |
| 57 | 607 | Bearing |
| 58 | 87032A | F-Washer |
| 59 | CL125 | Guide Shaft |
| 60 | 81303A | Jam Nut |
| 61 | CL21 | Adjuster |
| 62 | CL134 | Roller Shaft |
| 64 | 6202 | Bearing |
| 65 | CL135 | 8" Steel roll as. |
| 66 | 920284 | Es Nut |
| 68 | 920296 | Es Nut |
| 69 | CL23 | Carriage |
| 70 | 980645 | Flat Washer |
| 71 | CL24 | Spring |
| 72 | CL25 | Swing Bolt |
| 73 | CL26 | Spring |
| 74 | 920248 | J Es Nut |
| 75 | CL27 | Truck Arm |
| 76 | 980646 | Flat Washer |
| 77 | 920365 | Es Nut |
| 78 | 82502A | Pin |
| 79 | CL136 | Spacer |
| 80 | CL28 | Support |
| 82 | CL30 | Spring |
| 84 | 80020A | Sh Bolt |
| 85 | CL137 | Draw Lever |
| 86 | 980629 | F-Washer |
| 87 | CL31 | Edge roller |
| 88 | 980442 | Wavy Washer |
| 89 | CL32 | Pawl |
| 90 | CL146 | Top Roller Assy CL |
| 92 | CL01 | Side Wheel |

Note: Prices may vary from actual cost due to computer rounding or typographical errors. Prices may vary at any time.

Alto-Clarke Classic 8
Assembly Drawing #2

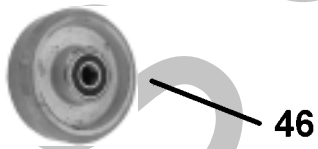
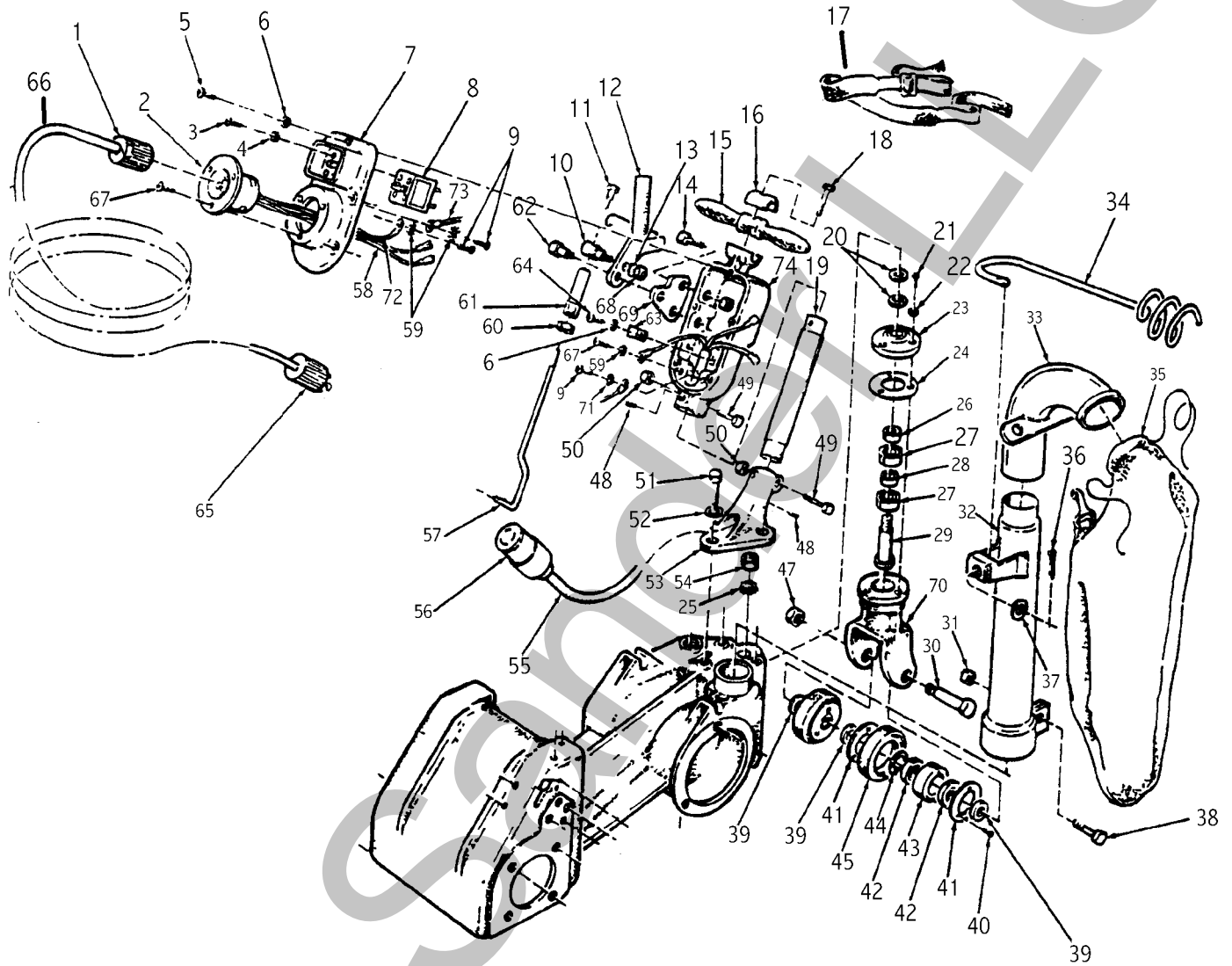


| ILL. # | PART # | Description |
|--------|--------|------------------|
| 1 | CL33 | 4 Hp Motor |
| 2 | 962870 | Butt Head |
| 3 | CL34 | Handle |
| 4 | CL36 | Enclosure |
| 6 | CL38 | Start Switch |
| 7 | ***** | |
| 8 | CL39 | Capacitor(Pl) |
| 9 | CL40 | Capacitor(Met) |
| 10 | 962350 | Pn Screw |
| 11 | ***** | |
| 12 | CL41 | Plate |
| 13 | 962823 | Pn Screw |
| 14 | 980614 | Ex. T Washer |
| 15 | CL42 | Retainer |
| 16 | CL138 | Key |
| 17 | CL43 | Motor PuL 3VX |
| 18 | 4L300 | Belt |
| 18 | 3L300 | Belt |
| 19 | CL139 | Retainer |
| 20 | 962288 | Bolt |
| 21 | CL46 | Pad |
| 22 | CL47 | Main Frame |
| 23 | 81202A | LH Nut |
| 24 | 87200A | Washer |
| 24 | 87200A | Washer |
| 25 | CL48 | Gasket |
| 26 | AS57 | Fan |
| 27 | AS59 | Fan Shaft Collar |
| 28 | 6202 | Bearing |
| 29 | CL51 | Fan Cover |
| 30 | W404 | Key |
| 31 | CL52 | Fan Shaft |
| 32 | 962714 | Bolt |
| 33 | 6302 | Bearing |
| 34 | CL53 | Retainer |
| 35 | AS24 | 4L Fan Pulley |
| 35 | AS25 | 3V Fan Pulley |
| 36 | 80017A | Sh Bolt |
| 37 | CL56 | Belt Guard |
| 38 | 962139 | Bolt |
| 39 | CL57 | Side Bumper |
| 40 | CL58 | Bumper Retain |

| ILL. # | PART # | Description |
|--------|--------|------------------|
| 41 | 962826 | Ph Screw |
| 42 | 920284 | Es Nut |
| 43 | 920284 | Es Nut |
| 44 | CL59 | Roller |
| 45 | CL60 | Bracket |
| 46 | 85702A | Bolt |
| 47 | CL61 | Plate |
| 48 | ***** | |
| 49 | CL62 | Plate |
| 50 | 962216 | Bolt |
| 51 | CL63 | Idler Pulley |
| 51 | CL64 | Idler Pulley |
| 52 | 81108A | Es Nut |
| 53 | 920110 | Es Nut |
| 54 | 6000 | Bearing |
| 55 | 57801A | Retain Ring |
| 56 | CL66 | Spacer |
| 57 | CL67 | Idler Arm |
| 58 | 171101 | Flange Nut |
| 59 | CL68 | Stud |
| 60 | 86111A | Sc Screw |
| 61 | AS34 | Side Cover Clip |
| 62 | CL69 | Dust Shoe |
| 63 | 962826 | Ph Screw |
| 64 | CL70 | Retainer |
| 65 | CL71 | Bumper |
| 66 | CL72 | Plate |
| 67 | CL73 | Handle |
| 68 | 87700A | Screw |
| 69 | CL74 | Rear Mount |
| 70 | CL75 | Knob |
| 71 | CL76 | Front Mount |
| 72 | 87700A | Screw |
| 73 | CL77 | T-Screw |
| 74 | 85703A | Bolt |
| 75 | 84403A | F Screw |
| 76 | 3VX425 | Belt |
| 76 | B38 | Belt |
| 77 | 6342 | Plug, Male |
| 78 | CL35 | Cover |
| 79 | CL145 | Baldor Fan-Motor |
| 81 | AP27 | Fan cover |

Note: Prices may vary from actual cost due to computer rounding or typographical errors. Prices may vary at any time.

Clarke® American Classic Sander 8
 Assembly Drawing #3 7/93



RED URETHANE WHEELS - CASTER-CL118

RED URETHANE WHEELS- MAIN- CL01

CLASSIC 8

| ILL. # | PART # | Description |
|--------|---------|------------------|
| 1 | 6214 | Female |
| 2 | 6215 | Inlet |
| 3 | 85313C | R Screw |
| 4 | ***** | |
| 5 | 84808A | R Screw |
| 6 | 980650 | Lock Washer |
| 7 | AS103 | Cover |
| 8 | K840 | CKT BRK. 30amp |
| 9 | 85393A | PH Screw |
| 10 | CL78 | Pivot |
| 11 | 80021A | Sh Bolt |
| 12 | CL79 | Lever |
| 13 | 980646 | Flat Washer |
| 14 | 962481 | Bolt |
| 15 | AS35 | Handle |
| 16 | AS81 | Handle Clamp |
| 17 | SW06 | Oper. Belt |
| 18 | 85818A | Handle Bolt |
| 19 | AS04 | Handle Pipe |
| 20 | 87003A | F-Washer |
| 21 | 962823 | Pn Screw |
| 22 | 980657 | Lock Washer |
| 23 | AS85 | Retainer |
| 24 | AS86 | Bearing Retainer |
| 25 | ***** | |
| 26 | AS151 | Caster Spacer |
| 27 | 6202-10 | Bearing |
| 28 | AS84 | Spacer |
| 29 | AS39 | Step Pivot Bolt |
| 30 | AS17 | Wheel Axle |
| 31 | 920342 | Es Nut |
| 32 | CL80 | Dust Tube |
| 33 | AS61 | Dust Pipe Elbow |
| 34 | AS62 | Cable Arm |
| 35 | S21A | Sander Bag |
| 36 | ***** | |
| 37 | 980645 | Flat Washer |
| 38 | 962288 | Bolt |

| ILL. # | PART # | Description |
|--------|--------|-----------------|
| 39 | ***** | |
| 40 | 85393A | PH Screw |
| 41 | CL55 | Wheel Cover |
| 42 | 6002 | Bearing |
| 43 | ***** | |
| 44 | CL121 | Retainer |
| 45 | ***** | |
| 46 | CL118 | 2 Caster Wheels |
| 47 | 920232 | Full Nut |
| 48 | 86200A | Screw |
| 49 | 85816A | Bolt |
| 50 | 920110 | Es Nut |
| 51 | 962288 | Bolt |
| 52 | ***** | |
| 53 | AS71 | Bracket |
| 54 | 920196 | Jam Nut |
| 55 | ***** | |
| 56 | 6344 | Plug, Female |
| 57 | CL81 | 8" Control Rod |
| 58 | ***** | |
| 59 | ***** | |
| 60 | 920145 | Full Nut |
| 61 | CL82 | Adjuster |
| 62 | 80022A | Sh Bolt |
| 63 | CL83 | obselete |
| 64 | ***** | |
| 65 | 6212 | Plug, Male |
| 66 | ***** | |
| 67 | ***** | |
| 68 | 920284 | Es Nut |
| 69 | CL84 | Lever Plate |
| 70 | AS87 | Caster Yoke |
| 71 | ***** | |
| 72 | ***** | |
| 73 | ***** | |
| 74 | CL122 | CL-Switch Box |

Note: Prices may vary from actual cost due to computer rounding or typographical errors. Prices may vary at any time.