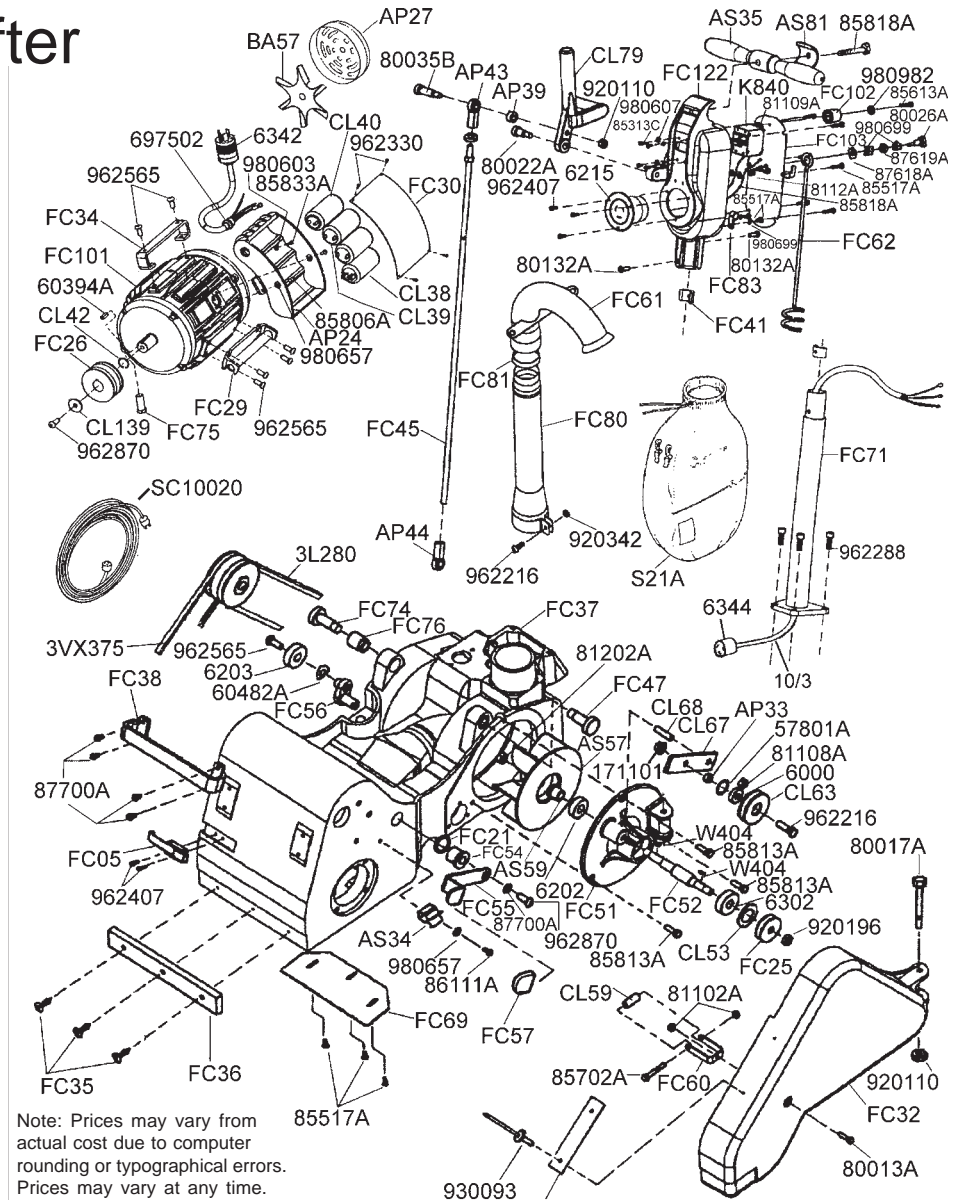


# Clarke Floorcrafter

Part #	Description
10/3	Gray Cable 10/3
3L280	Belt
3VX375	Belt
57801A	Retain Ring
6000	Bearing
6202	Bearing
6203	Bearing
6215	Inlet
6302	Bearing
6342	Plug, Male
6344	Plug, Female
60394A	Key
60482A	#N/A
697502	Strain relief
80013A	#N/A
80017A	Sh Bolt
80022A	Sh Bolt
80026A	Sh Bolt
80035B	Bolt, Shoulder
80132A	Screw
81102A	Nylok nut
81108A	Es Nut
81109A	Nut
81112A	Nut
81202A	LH Nut
85313C	R Screw
85517A	Screw
85613A	Screw
85702A	Bolt
85806A	#N/A
85813A	Bolt
85818A	Handle Bolt
85833A	Screw
86111A	Sc Screw
87618A	Washer
87619A	Washer
87700A	Screw
920110	Es Nut
920196	Jam Nut
920342	Es Nut
930093	rivet
962216	Bolt
962288	Bolt
962330	Screw
962407	R Screw
962565	Screw, button
962870	Butt Head
980603	#N/A
980607	Washer, tooth
980657	Lock Washer
980699	Washer
980982	Washer
982699	#N/A
AP24	Enclosure
AP27	Fan cover
AP33	Spacer
AP39	Spacer
AP43	Rod End
AP44	Rod End
AS34	Side Cover Clip
AS35	Handle
AS59	Fan Shaft Collar
AS81	Handle Clamp
BA57	Fan Motor
CL38	Start Switch
CL39	Capacitor(PI)
CL40	Capacitor(Met)



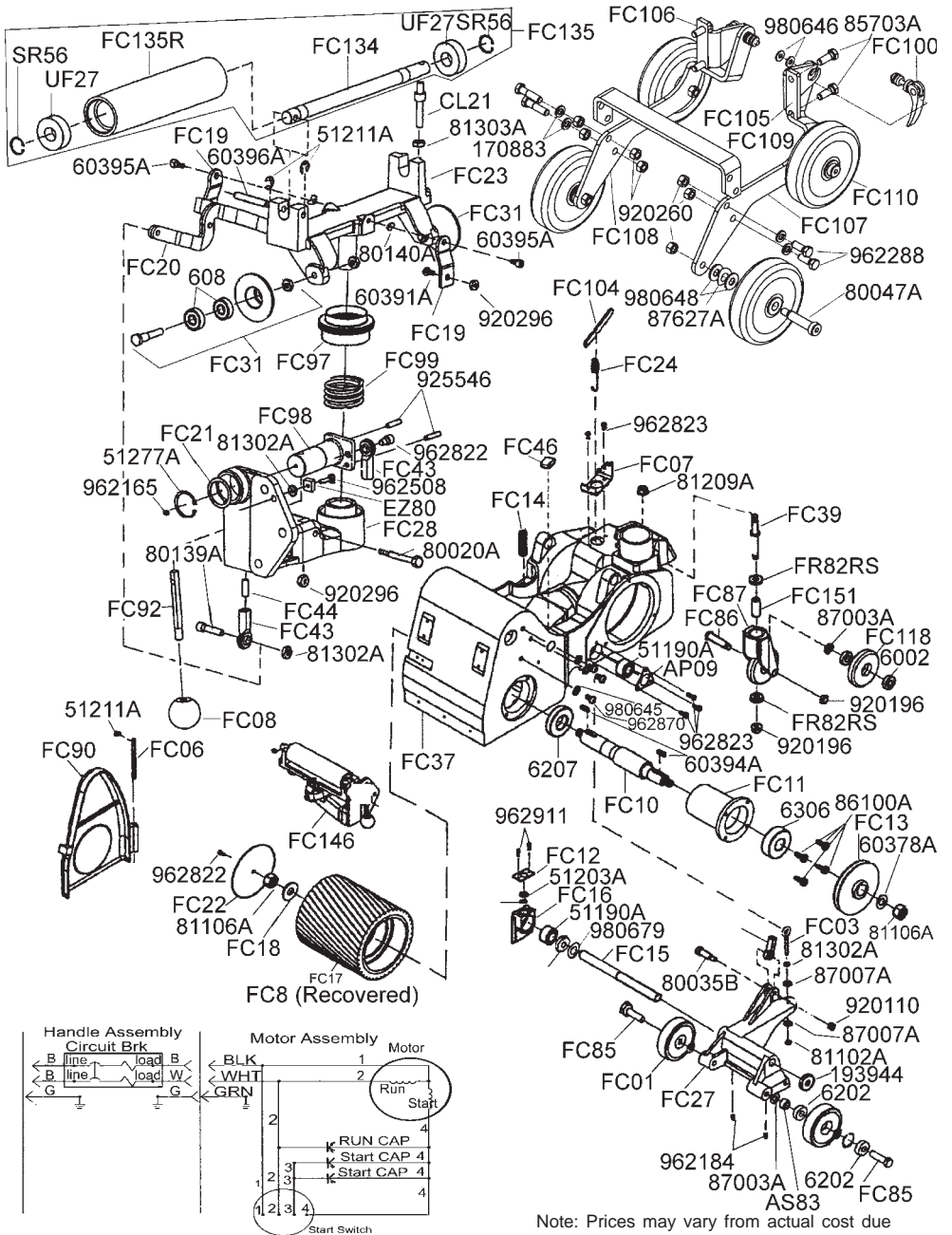
Note: Prices may vary from actual cost due to computer rounding or typographical errors. Prices may vary at any time.

Part #	Description
CL42	Retainer
CL53	Retainer
CL59	Roller
CL62	Plate
CL63	Idler Pulley
CL67	Idler Arm
CL68	Stud
CL79	Lever
CL139	Retainer
FC05	Door Latch
FC21	Washer Nylon
FC25	Pulley, Fan
FC26	Pulley, Motor
FC29	Motor Mount, Rear
FC30	Plate
FC32	Belt Guard
FC34	Handle, Motor
FC35	Rivet
FC36	Bumper, Front
FC37	Main Frame
FC38	Handle
FC41	Retainer Clamp
FC45	Control Rod
FC47	#N/A
FC51	Fan Cover

Part #	Description
FC52	Fan Shaft
FC54	Bearing, Flange
FC55	Lever, Tension
FC56	Cam, Tensioner
FC57	Lever Cover
FC60	Bracket
FC61	Dust Pipe Elbow
FC62	Cable Arm
FC69	Dust Shoe
FC71	Handle Tube
FC74	Pin, Motor
FC75	Screw, Adjusting
FC76	Adjustment Bolt
FC80	Dust Pipe
FC81	Felt Seal
FC83	Cable Clamp
FC101	Motor, 4hp
FC102	Plastic Bumper
FC103	Cover, Switch Box
FC122	Switch Box
K840	CKT BRK. 30amp
S21A	Sander Bag w/ Clips
SC1002	10/3 100ft, 20amp
W404	Key

# Clarke Floorcrafter

Part #	Description
170883	Washer
193944	Gromet, Rubber
51190A	Bearing
51203A	E Clip
51211A	E-clip
51277A	clip ring
608	Bearing
6002	Bearing
6202	Bearing
6207	Bearing
6306	Bearing
60378A	Retainer
60391A	Shoulder Bolt
60394A	Key
60395A	Screw, shoulder
60396A	#N/A
80020A	Sh Bolt
80035B	Bolt, Shoulder
80047A	Shoulder Bolt
80139A	Screw
80140A	Washer
81102A	Nylok nut
81106A	St Loc Nut
81209A	Fl Nut
81302A	Jam Nut
81303A	Jam Nut
85703A	Bolt
86100A	#N/A
87003A	F-Washer
87007A	Washer
87627A	#N/A
920110	Es Nut
920196	Jam Nut
920296	Es Nut
962165	Screw, set
962184	Screw
962288	Bolt
962508	#N/A
962822	Screw, button
962823	Pn Screw
962870	Butt Head
962911	Screw, button
980645	Flat Washer
980646	Flat Washer
980679	Washer
AP09	Ret Ring
AS83	Spacer
CFC99	#N/A
CL21	Adjuster
EZ80	Wear Block
FC01	Wheel, Side
FC03	Eye Bolt
FC06	Pin
FC07	Bracket
FC08	Knob
FC10	Drum Shaft
FC11	Carrier
FC12	Plate
FC13	Pulley, Drum
FC14	Screw, Leveling
FC146	Top Roller Assy
FC151	Spacer



Part #	Description
FC16	#N/A
FC18	Retainer
FC19	Link
FC20	Lever, Draw
FC21	Washer Nylon
FC22	Plate
FC23	Carriage
FC24	Spring
FC27	Wheel Truck
FC28	Support
FC31	Cone Roller
FC37	Main Frame
FC39	Pivot Stud
FC43	Rod End RH
FC44	Link (Threaded Shaft)
FC46	#N/A
FC8	Recovered Drum
FC85	Axle, Side
FC86	Axle, Caster

Part #	Description
FC87	Caster Yoke
FC90	Door, Side
FC92	Lever
FC97	Boot
FC98	Cam, Release
FC100	Skewer Clamp
FC104	#N/A
FC105	Bracket, Left
FC106	Bracket, Right
FC107	Bracket, Left
FC108	Bracket, Right
FC109	Brace
FC110	Wheel, Dolly
FC118	Rear Whl Assy
FC134	Roller Axle
FC135R	Roller
FR82RS	Bearing
SR56	Snap Ring
UF27	Bearing Dust Free