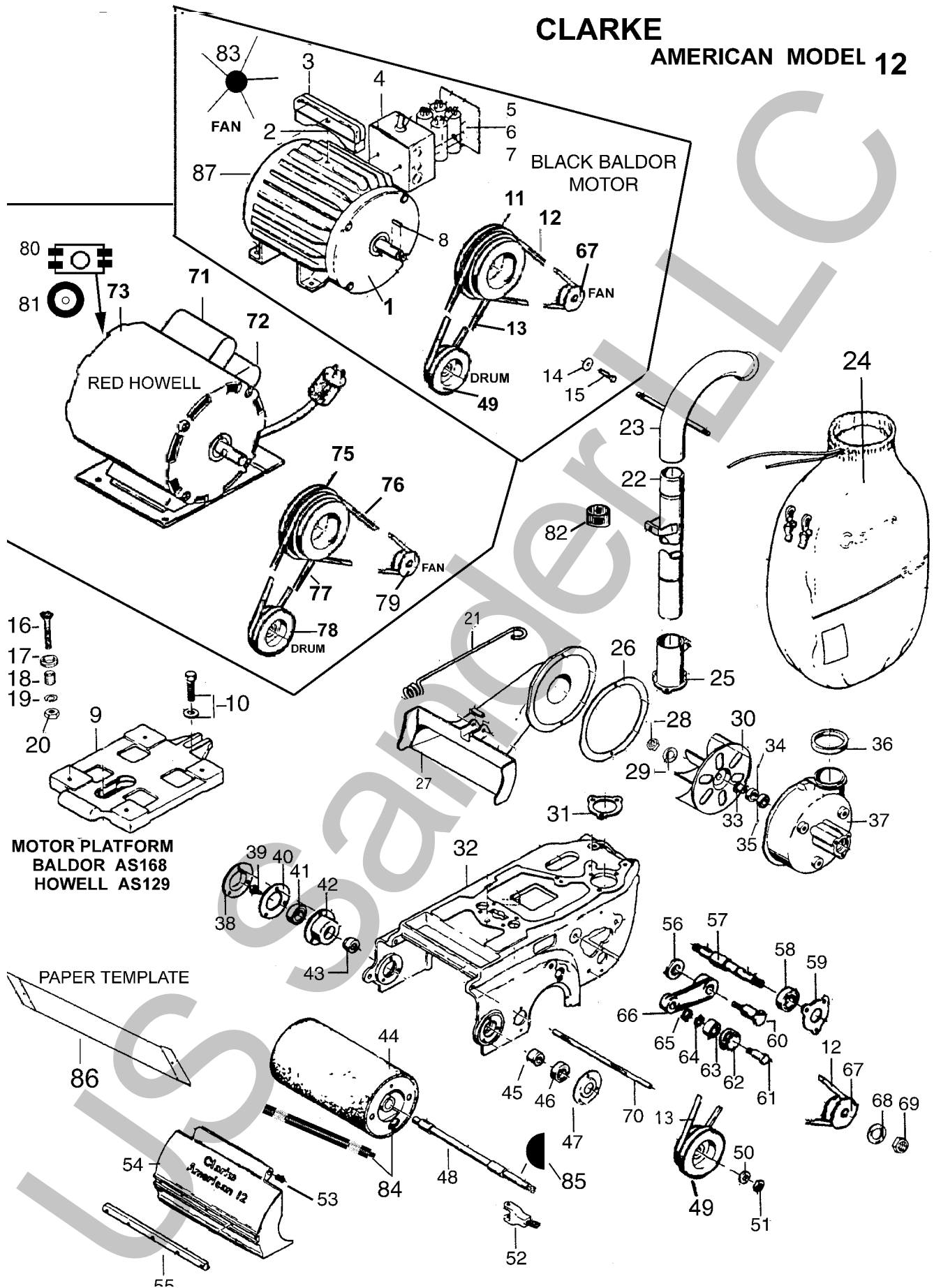


CLARKE AMERICAN MODEL 12



American 12

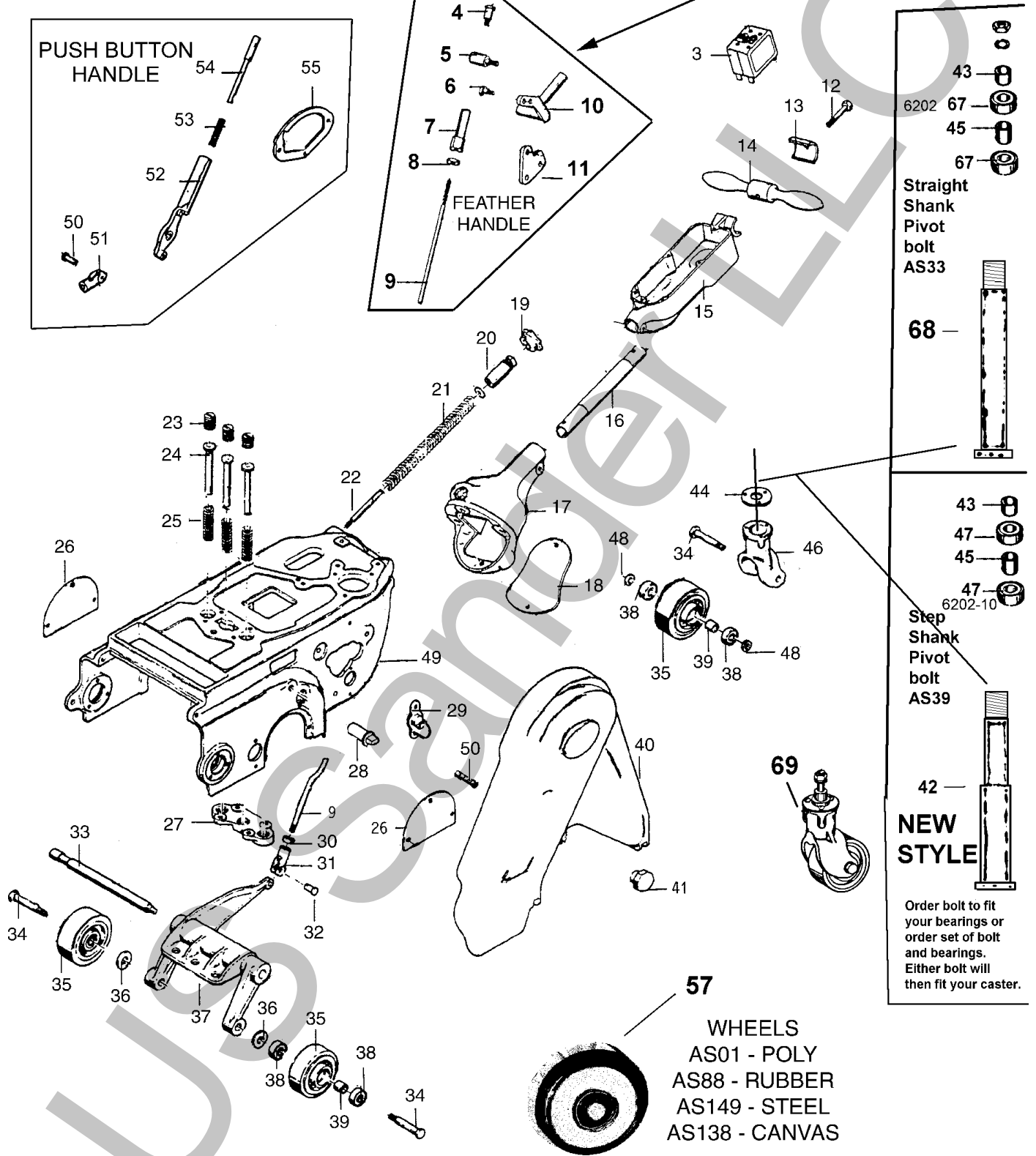
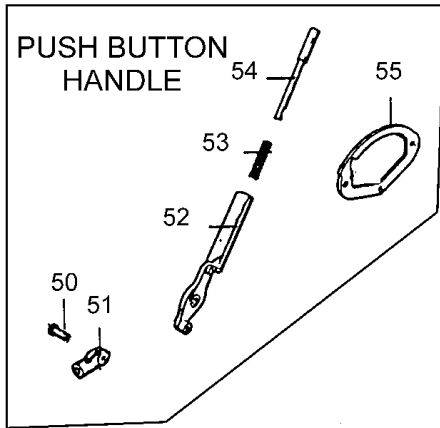
ILL. #	PART #	Description
1	AS101B3	BALD MTR 3400
1	AS101	BALD Alto kit
2	CL34	Handle
3	CL35	Cover
4	CL36	Enclosure
5	CL38	Start Switch
6	CL39	Capacitor(PI)
7	CL40	Capacitor(Met)
8	CL126	Key
9	AS168	Motor Platform
9	AS129	Platform
10	AS166	Motor Bolt
11	AS162	Motor Pulley
12	3L340	Belt
13	3VX425	Belt
14	CL139	Retainer
15	962288	Bolt
16	AS178	Motor Screw
17	AS179	Motor Washer
18	AS180	Spacer
19	171101	Flange Nut
20	920232	Full Nut
21	AS62	Cable Arm
22	AS60	Dust Pipe
23	AS61	Dust Pipe Elbow
24	S21A	Sander Bag
25	AS11	Dust Support
26	AS118	Pan Gasket
27	AS119	Dust Pan
28	81202A	LH Nut
29	87002A	F-Washer
30	AS127	12" Fan
31	AS65	Gasket
32	AS133	Main Frame
33	AS59	Fan Shaft Collar
34	CS27	Fan Seal
35	6202	Bearing
36	AS131	Felt Washer
37	AS132	Fan Housing
38	AS66	Cover
39	AS26	Drum Screw
40	AS67	Cover Gasket
41	6303	Bearing
42	AS51	Bearing Cup

ILL. #	PART #	Description
43	AS139	Drum Spacer
44	AS112	12" Drum
45	AS134	Shaft Spacer
46	6303	Bearing
47	AS49	Bearing Retainer
48	AS111	Drum Shaft
49	AS128	Drum Pulley
50	980644	Flat Washer
51	920280	Jam Nut
52	AS117	Yoke Assy.
53	AS156	Spring
54	AS105	Drum Cover
55	AS104	Bumper
56	AS122	Spacer
57	AS76	Fan Shaft
58	6302	Bearing
59	AS96	Retainer
60	AS124	Idler Stud
61	AS137	Idler Shaft
62	AS125	Idler Pulley
63	6302	Bearing
64	AS181	Retainer Ring
65	AS182	Idler Spacer
66	AS136	Idler Arm
67	AS115	Fan Pulley
68	87002A	F-Washer
69	81202A	LH Nut
70	AS106	Cover Shaft
71	AS73	Run Capacitor
72	AS74	Start Capacitor
73	AS101A2	5 HP Kit Baldor
74	AS129	Platform
75	AS130	Motor Pulley
78	AS135	Drum Pulley
79	AS114	Fan Pulley
80	K700	Stationary Switch
81	6206	Bearing
82	S37	Dust Seal Band
83	CL145	Baldor Fan-Motor
84	AS53	Paper Clamp
85	AS184	Key Set
86	AS155	12" Template
86	AS155A	Adj.Template
87	AP27	Fan cover

Note: Prices may vary from actual cost due to computer rounding or typographical errors. Prices may vary at any time.

Clarke American 12

1 — Upgrade Kit
2 — to Feather
Handle
56 AS170



43 —

6202 67 —

45 —

67 —

Straight Shank Pivot bolt AS33

68 —

43 —

47 —

45 —

47 —

6202-10

Step Shank Pivot bolt AS39

42 —

NEW STYLE

Order bolt to fit your bearings or order set of bolt and bearings. Either bolt will then fit your caster.

American 12

ILL. #	PART #	Description
1	6215	Inlet
2	AS103	Cover
3	K840	CKT BRK. 30amp
4	80021A	Sh Bolt
5	CL78	Pivot
6	80022A	Sh Bolt
7	CL82	Adjuster
8	920148	Hex J Nut
9	AS161	12" Control Rod
10	AS164	Control Handle
11	CL84	Lever Plate
12	85818A	Handle Bolt
13	AS81	Handle Clamp
14	AS35	Handle
15	CL122	CL-Switch Box
16	AS75	Handle Pipe
17	AS107	Handle Bracket
18	AS143	Cover
19	AS70	Knob
20	AS72	Pressure Screw
21	AS109	Pressure Spring
22	AS110	Pivot Rod
23	AS79	Plunger Screw
24	AS80	Plunger
25	AS55	Plunger Spring
26	AS69	Rt Wheel Cover
27	AS116	Plunger Plate
28	AS121	Eccentric
29	AS120	Clamp Assy.
30	920148	Hex J Nut
31	AS08	Rod Fork
32	AS09	Fork Pin
33	AS113	Shaft
34	AS17	Wheel Axle
35	AS01	Red Wheel

ILL. #	PART #	Description
36	87003A	F-Washer
37	AS126	Wheel Truck
38	6202	Bearing
39	AS83	Spacer
40	AS123	Belt Guard
41	AS141	Knob
42	AS39	Step Pivot Bolt
43	AS54	Spacer, Wheel
44	AS85	Retainer
45	AS84	Spacer
46	AS87	Caster Yoke
47	6202-10	Bearing
48	AS157	Wheel Spacer
49	AS133	Main Frame
50	AS09	Fork Pin
51	AS08	Rod Fork
52	AS05	Control Handle
53	AS07	Spring
54	AS06	Stop Pin
55	AS30	Quadrant
56	AS170	12" Lever Kit
57	AS138	Canvas Wheel
57	AS01	Red Wheel
57	AS149	Steel Wheel
62	6202	Bearing
63	AS84	Spacer
64	6202-10	Bearing
65	AS33	Stght Pivot Bolt
66	AS69	Rt Wheel Cover
67	6202	Bearing
68	AS33	Stght Pivot Bolt
69	AS87AW	Caster/wheel ass.
69	AS87A	Caster No wheel

Note: Prices may vary from actual cost due to computer rounding or typographical errors. Prices may vary at any time.